

Quick Start Guide

MeshAP 3800-A9
Dual-Radio WiFi Mesh Network Access Point



Package Contents

MeshAP 3800-A9



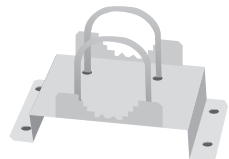
RJ-45 Connector (X1)



Coax-Seal (10")

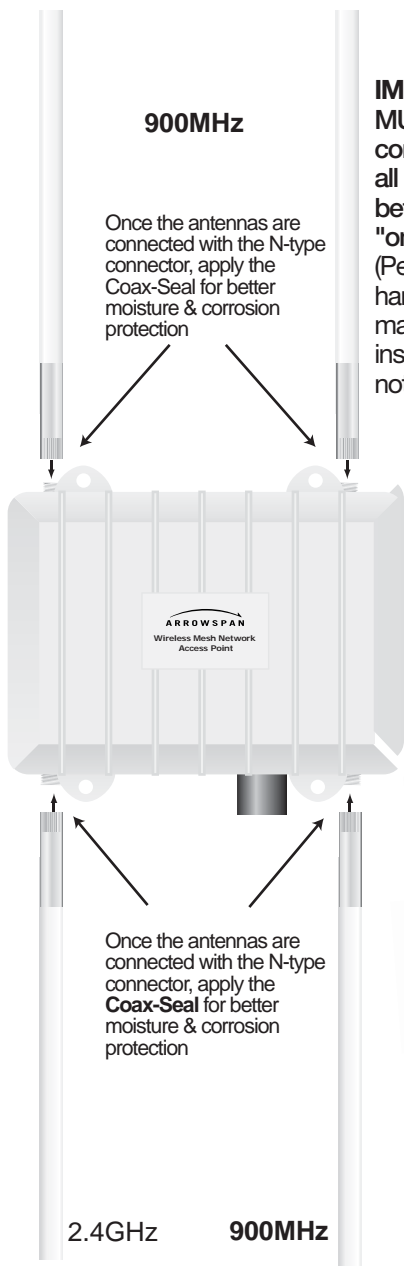


Pole Mount Bracket (X1)
Hex screws (4)
Hex locknuts (4)
Washer (4)
2 3/8" diameter U-bolts (x2)
U-bolts Locknuts (4)
Ubolts Washer (4)



Hardware Setup

1 Connect each antenna to an antenna socket



IMPORTANT:
MUST Properly connect all antennas before powering "on" the unit (Permanent hardware failure may occur if instructions are not followed)

Once the antennas are connected with the N-type connector, apply the Coax-Seal for better moisture & corrosion protection

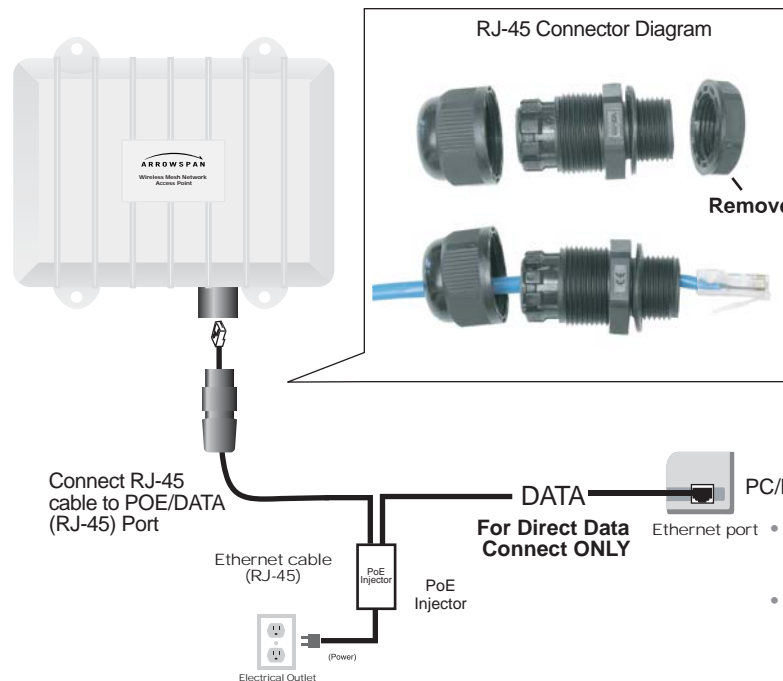
Once the antennas are connected with the N-type connector, apply the **Coax-Seal** for better moisture & corrosion protection

Coax-Seal
moisture & corrosion

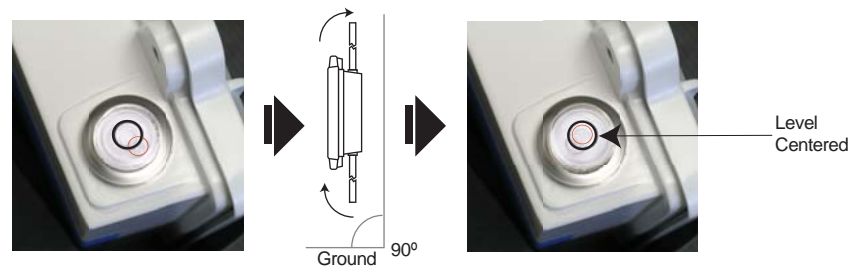


To apply - diagonally wrap a strip of Coax-Seal over a clean, dry connection making sure to overlap as you apply. Mold to form a smooth surface and to force out the air.

2 Connect one end of the Ethernet cable to the **Ethernet** port and another end to the POE (Power over Ethernet) injector

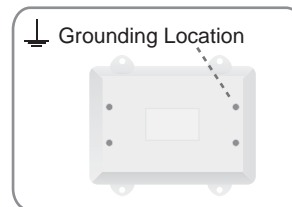


3 MeshAP must be properly leveled to acquire good signal strength between nodes



Accessing the unit

1. Make sure PC or notebook IP address is set to: 192.168.1.xxx and subnet mask is set to: 255.255.255.0
2. Launch Web Browser (Internet Explorer or Firefox)
3. Enter 192.168.1.8 at the address bar of the web browser and press Enter to access the Access Point
4. UserName: admin Password: admin Click "OK"



How to Clear ARP Table for IP Conflict

To clear the ARP table of a Microsoft Windows system by issuing the following command, `arp -d` in command prompt